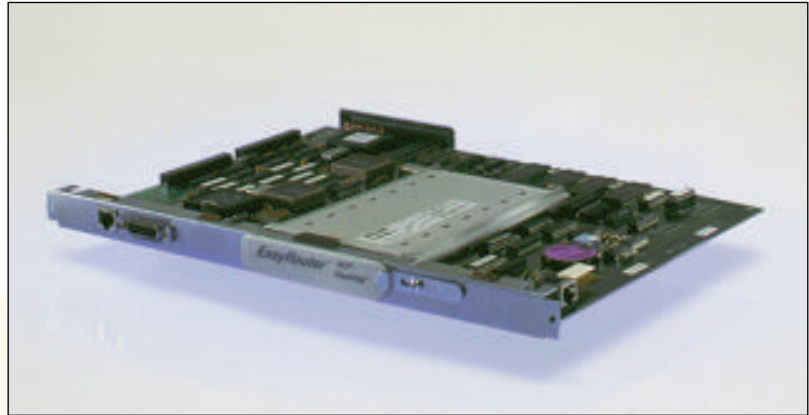


# INTEGRATION ROUTER MODULE

For Marathon® and STADIA® Integration Products

## The Integration Router Module

(IRM) provides advanced multiprotocol routing as it integrates LAN traffic with voice, fax and legacy data communications



Integration Router Module

## Features

- Combines powerful LAN routing capabilities with MICOM's industry-leading voice/fax and legacy data integration products
- Incorporates industry-standard multiprotocol Ethernet TCP/IP and Novell IPX routing and transparent bridging
- Reduces LAN administrative burdens and costs with self-learning operation for network updates via unique EasyRouter™ technology
- Eliminates unnecessary broadcast traffic with ARP and SAP/RIP spoofing technology for efficient LAN/WAN bandwidth usage
- Supplies Automatic WAN Routing of "non-routable" protocols, such as DEC LAT and NETBIOS
- Increases throughput of LAN traffic using a dedicated hardware-based compression chip
- Expands to provide 10Base-T wiring hub capacity via MICOM's Integral Hub Module option
- Provides remote monitoring and configuration using industry-standard SNMP protocol or remote terminal
- Limited three-year hardware warranty

# Overview

The Integration Router Module (IRM) option enhances the overall MICOM integrated communications solution with robust LAN multiprotocol routing capabilities. Effectively complementing MICOM's industry-leading legacy data, voice and fax integration, the IRM offers powerful LAN routing features. Industry-standard IP and IPX routing assures full LAN applications compliance and interoperability with existing bridges and routers.

Award-winning EasyRouter technology reduces LAN administrative burdens and increases overall LAN/WAN bandwidth efficiency. Its self-learning capability greatly reduces the time and costs associated with router setup and maintenance. And its ARP and SAP/RIP spoofing technology increases available bandwidth by minimizing broadcast traffic. Along with hardware-based compression, this allows faster throughput of LAN traffic. Automatic WAN Routing techniques even allow routing of "non-routable" protocols, such as DEC LAT and NETBIOS.

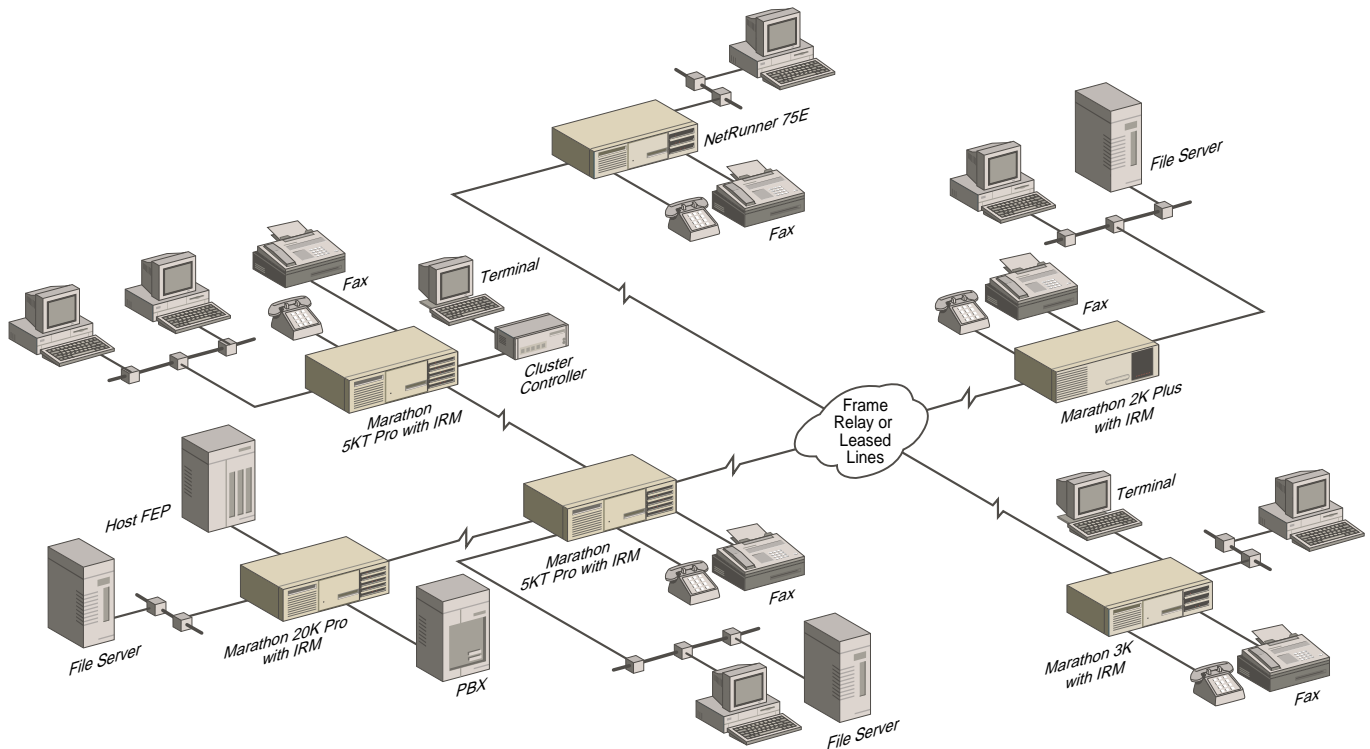
The Integration Router Module simplifies migrating to client-server internetworking. The full-scale routing capabilities of the IRM let you eliminate external bridge or router equipment, and connect your Ethernet LAN directly into a Marathon or STADIA product. LAN traffic can ride with legacy data, voice and fax communications over a private leased line, ISDN circuit or public frame relay WAN. This reduces your equipment cost, space and wiring requirements, and allows you to integrate multiple communications over a single WAN link.

Integrating LAN, legacy data, voice and fax communications minimizes your recurring network costs by reducing the number of required WAN links. The larger the network, the more you can save. For high-density 10Base-T internetworks, the IRM supports optional Integral Hub Modules featuring 8 to 30 port connections. This eliminates the need for an external wiring hub, and further expands Marathon's capability for cost-effective LAN communications.

*The Integration Router Module offers award-winning MICOM EasyRouter technology to reduce LAN administrative burdens and costs while increasing overall bandwidth efficiency.*

# Specifications

## Marathon Network with Integrated LAN, Data, Voice, Fax and WAN Traffic



### LAN CONNECTION

Ethernet; automatic port discovery for IEEE 802.3 AUI and UTP 10Base-T

### MULTIPROTOCOL ROUTING

Routed Protocols  
IP per RFC 1009

IPX per IPX Router Specification  
version 1.10 and RFC 1362

Routing Protocols  
RIP, EasyRouter Technology and  
Automatic WAN Routing

### BRIDGING

All LAN protocols, including LAT,  
NETBIOS, AppleTalk, DECnet and  
oversize packets in Novell NetWare

Local handling of ARP and SAP/RIP requests

#### Filters

Automatic filtering on destination address.

User-configurable filters:

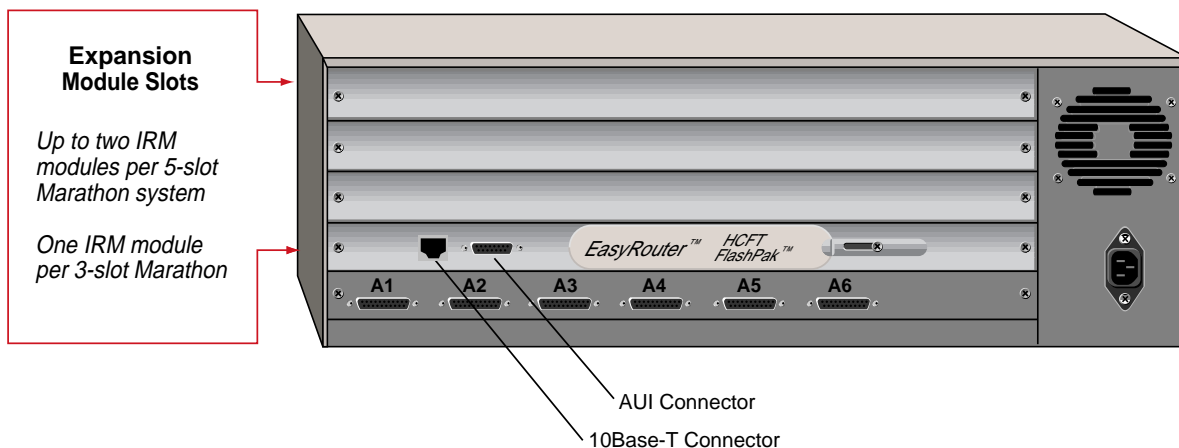
- Broadcast
- Multicast
- Source address
- Protocol type
- Pattern match
- Network advertising

#### Spanning Tree

Compatible with all IEEE 802.1D  
compliant bridges

# Specifications

## IRM in 5-slot Marathon Chassis



### PERFORMANCE

Filtering: 8,000 frames per second  
(64-byte packets)

Forwarding Rate: Saturates up to six  
56/64 Kbps links with 512 packets  
per second (64-byte packets)\*

### COMPRESSION

LAN data compressed up to 4:1;  
IP, IPX and LAT headers compressed  
up to 10:1

### COMPATIBILITY

Compatible with all MICOM Marathon,  
NetRunner and STADIA products with  
Release 3.2 system software and above

### SOFTWARE UPDATES

Supports remote software code download

\* Application dependent

### MANAGEMENT OPTIONS

MICOM's NETMan™ PC-based  
network management system

SNMP-based console (public  
domain MIB II)

Local/remote terminal on WAN,  
or through LAT or Telnet connection  
on LAN

### AGENCY COMPLIANCE

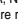
ISO 9001 Certified



**MICOM Communications Corp.**  
A Nortel (Northern Telecom) Company  
4100 Los Angeles Avenue  
Simi Valley, California 93063-3397

Tel: (805) 583-8600  
Fax: (805) 583-1997

Internet Web page: <http://www.micom.com>  
E-mail address: [info@micom.com](mailto:info@micom.com)  
24-Hour FAXBACK System: (805) 582-7478

MICOM, Marathon, NetRunner, FrameRunner, STADIA, NETMan, MicroBand ATM, EasyRouter, ClearVoice, Voice/Fax Multiplier and  are registered trademarks or trademarks of MICOM Communications Corp. All other names or trademarks are true property of their respective companies.

Specifications subject to change without notice.  
©1997 MICOM Communications Corp. All rights reserved.

For more information or the location of the  
MICOM Certified Distributor closest to you,  
call our Applications Hotline.

**In the United States call:**  
Tel: 800-642-6687 • Fax: (800) 343-0329

**In Europe, Middle East and Africa call:**  
Tel: 44 (0) 1252 302 200 • Fax: 44 (0) 1252 781 717

**In Asia-Pacific Rim call:**  
Tel: 65 334 6557 • Fax: 65 334 5845

**In Latin America call:**  
Tel: (813) 538-7719 • Fax: (813) 539-1425